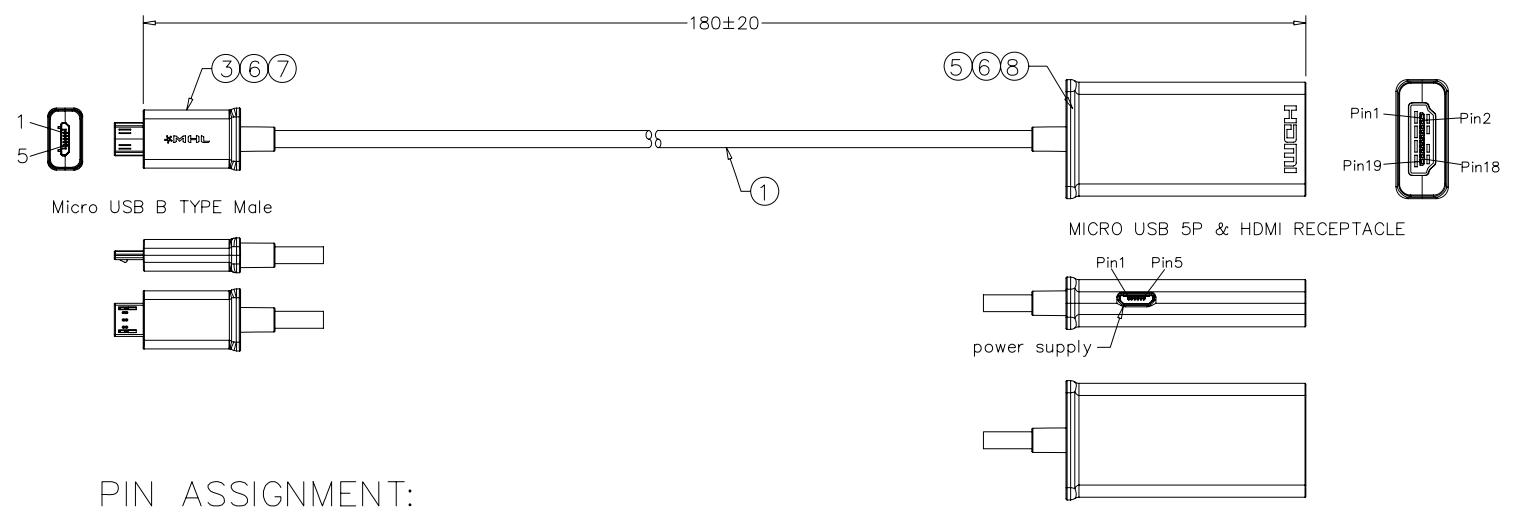


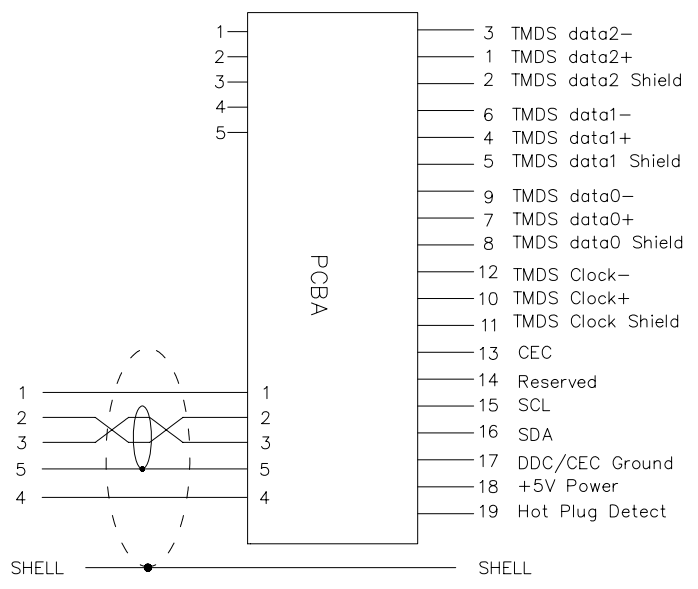
RoHS Compliant

REV	ZONE	LTR	DESCRIPTION	DATE	REVISER	APPD
1.0			New Drawing	2012/05/28		



PIN ASSIGNMENT:

Micro USB B TYPE (SOURCE) Micro USB F HDMI A TYPE RECEPTACLE (SINK)



TEST
I9100 Galaxy S2 Infuse 4G TO HDTV TEST

NO.	PART NAME	SPEC DESCRIPTION	REMAKE
8	OUTER COVER	HDMI A FEMALE CONNECTOR ABS OUTER COVER BLACK	
7	OUTER COVER	MICRO USB B FEMALE CONNECTOR ABS OUTER COVER BLACK	
6	OUTSIDE MOLDING	PVC 70Pα BLACK UL94V-0	
5	PCBA	MHL PCBA	
4	CONNECTOR 3	MICRO USB 5PIN B/F, CONTACT G/F, SHELL PLATED NICKEL	
3	CONNECTOR 2	MICRO USB 5PIN B/M, CONTACT G/F, SHELL PLATED NICKEL	
2	CONNECTOR 1	HDMI A TYPE FEMALE, CONTACT G/F, SHELL PLATED NICKEL, W/PCB	
1	CABLE	USB CABLE (30AWG*1P+DW)+28AWG*2C+AL+BD+JACKET OD: 3.5mm BLACK	

NO. PART NAME		SPEC DESCRIPTION		REMAKE
INNERMOLD		TOLERANCE UNSPECIFIED		
		±		
		± 0.1		
		± 0.38		
		±		
		ANGLE ±		
OVERMOLD		DRAWN: Rey 12/05/28		
		DESIGNER: Rey 12/05/28		
		CHECKED:		
		APPROVED:		
		NAME		SHEET
		MHL ADAPTER L=0.18M		1/2
		DRAWING NO. MHL-CA05		REV 1.0



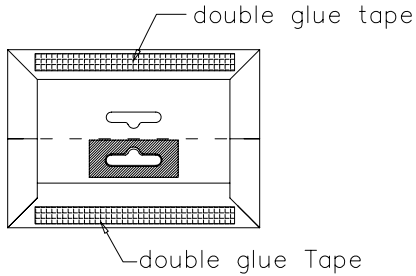
SCALE NON UNIT mm

DRAWING NO. MHL-CA05
SHEET 1/2
REV 1.0

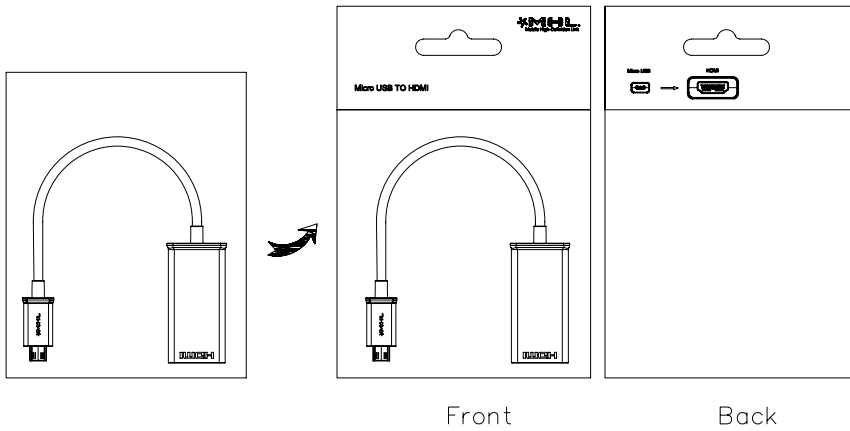
PACKING

REV	ZONE	LTR	DESCRIPTION	DATE	REVISER	APPD
1.0			New Drawing	2012/05/28		

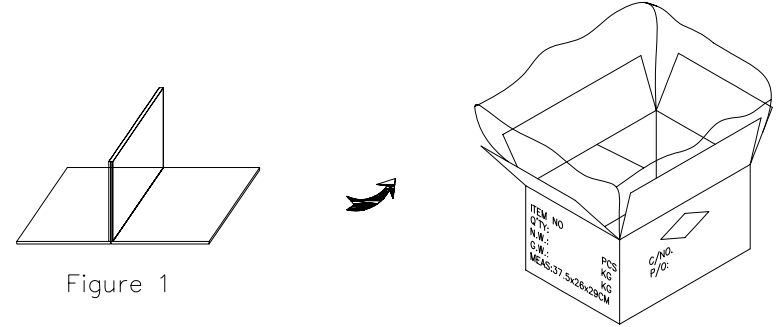
1. Take out the color card, affix the double glue Tape in the corresponding position



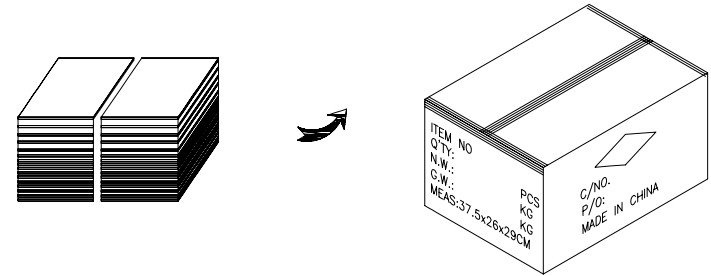
2. Pack Cable into PE bag
Closure And then paste the polybag with color card together.
(The product put on the right side)



3. Place a waterproof PE bag in carton, and bend paper board follow as figure 1. then put it into carton.



4. Put the product in carton, Then lay another paper board on the top of carton.



INNERMOLD 	TOLERANCE UNSPECIFIED ± ± ± 3.0 ± ±		BossConn	
	ANGLE ±		SCALE NON	UNIT mm
OVERMOLD 	DRAWN: 12/05/28	NAME		SHEET
	DESIGNER: 12/05/28	MHL ADAPTER L=0.18M		2/2
	CHECKED:	DRAWING NO. MHL-CA05		REV 1.0
	APPROVED:			

User Manual

Table of Contents

1	Introduction.....	1
2	Specifications.....	1
3	Package Contents.....	2
4	Panel Descriptions.....	2
5	Connection Diagram.....	3

Micro USB to HDMI MHL Adapter

DEAR CUSTOMER

Thank you for purchasing this product. For optimum performance and safety, please read these instructions carefully before connecting, operating or adjusting this product. Please keep this manual for future reference.

1.0 INTRODUCTION

The MHL (Mobile High-Definition Link) Adapter is an accessory made with one purpose in mind to connect your MHL Host, like MHL Phone or Tablet, to your HDTV for viewing content on a larger screen. This state-of-the-art technology connects your MHL Host to your monitor or TV from the micro USB port to the HDMI port.

1.1 FEATURES

This MHL cable has many features that enable it to perform in a superior manner. Among those features you will find:

- Uses a single, thin adapter to connect the mobile device to the HDTV
- Connects Micro USB Female port to Computer or Power Adapter for charging and getting power using a Micro USB to USB M/M able.
- Built-in MHL Receiver converts a single differential pair to HDMI four differential pairs
- Supports all bandwidth between 25-75MHz.

2.0 SPECIFICATIONS

Signal Inputs/Output	
Input Connector	Micro USB Male x1
Output Connector	HDMI Female x1
Other port	Micro USB Female x1 for charging
Mechanical	
Size(L-W-H)	180X23.6X9.9mm
Weight (Net)	10g
Warranty	
Limited Warranty	1 Year Parts and Labor
Environmental	
Operating Temperature	0 °C to +70°C
Operating Humidity	10% to 85 % RH (no condensation)
Storage Temperature	-10°C to +80°C
Storage Humidity	5% to 90 % RH (no condensation)
Power Requirement	
External Power Supply	No
Regulatory Approvals	
Converter Unit	FCC,CE,UL
Power Supply	No
Accessories Adapter	
User Manual	English version

Note: Specifications are subject to change without notice.

3.0 PACKAGE CONTENTS

Before attempting to use this unit, please check the packaging and make sure the following items are contained in the shipping carton:

- Main unit
- User's Manual

4.0 PANEL DESCRIPTIONS



1. Micro USB male

Connect the port to Phone or Tablet with Micro USB port and support MHL Standard

2. HDMI Female

Connect the Port to Display Device like HDTV etc .

3. Micro USB Female

Connect the Port to Power adapter or computer to charge the phone and adapter

5.0 CONNECTION DIAGRAM

