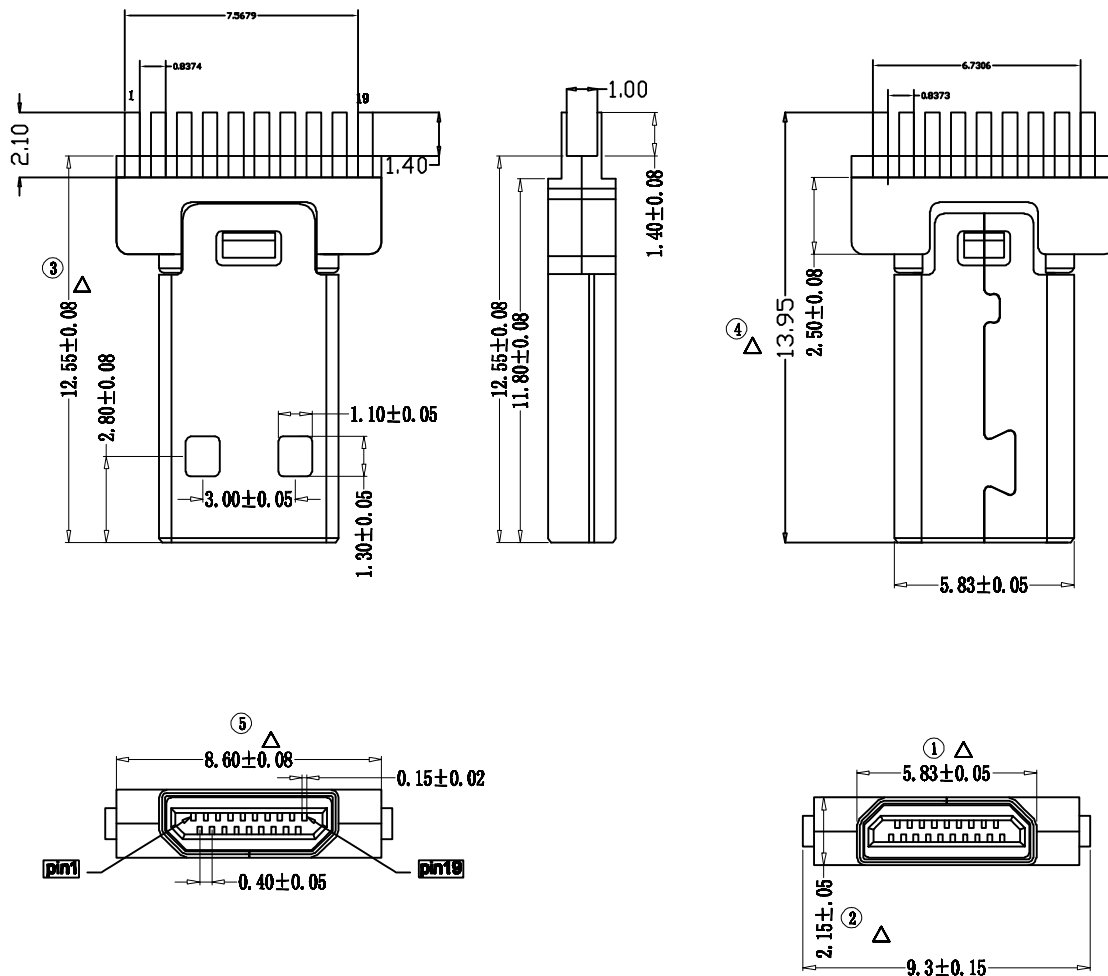


ROHS

变更日期	变更内容	签名



NOTE:

- 图中标示有"▽"的尺寸须重点检验;
- MATERIAL: 材料
HOUSING: LCP THERMOPLASTIC, 30% GLASS FILLED, UL94V-0
TERMINAL: PHOSPHOR BRONZE; 磷青铜 0.15mm THICKNESS.
SHELL: SPCC.; 0.20mm THICKNESS. 厚度
- PLATING: 电镀
TERMINAL CONTACT AREA PLATING GOLD
SOLDER TAIL: TIN, THICKNESS=100 MICRINCH MIN
UNDER PLATE: NICKEL, THICKNESS=50 MICROINCH MIN
SHELL: NICKEL, THICKNESS=50 MICROINCH MIN
- 盐雾测试: 12小时

3	SHELL	SPCC	NICKEL	50~100μ"	1
2	TERMINAL	PHOSPHOR BRONZE	Half gold tin	1.5μ" Ni50μ" Min	19
1	HOUSING	LCP+30%G.F UL 94V-0 BLACK			1
NO.	PART NAME	MATERIAL	PLATING	THICKNESS	Q' TY

成品图					
MANUFACTURE DWG					
公差一览表					
TOLERANCE UNLESS OTHERWISE					
X.	±0.15	X'	±5'		
.X	±0.10	.X'	±2'		
.XX	±0.08	.XX'	±1'		
.XXX	±0.03	.XXX'	±0.5'		



单位	11/06/21	制图	李勇	料号	HDD-M-CN09
UNITS		DRAWING		CUSTOMER PART NO.	
比例	1:1	审核	戚慧娟	产品名称	MICRO HDMI 公头 夹板 1.0
SCALE		CHKD		PRODUCT NO.	
日期		核准	吴礼贤	角法	⊕ ⊖
DATE		APPD		版本	A/0
				VER	