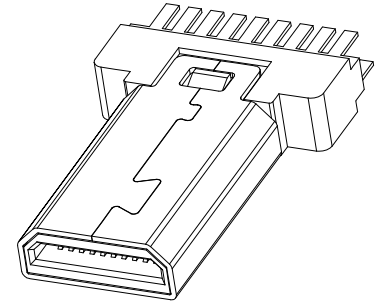
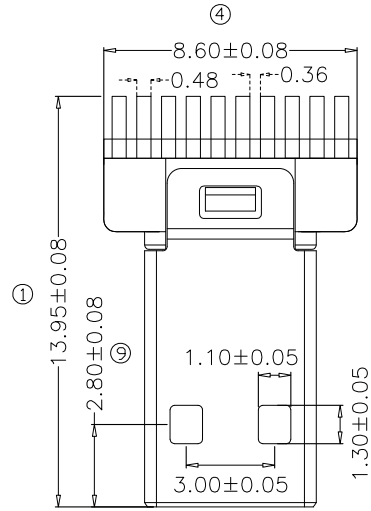
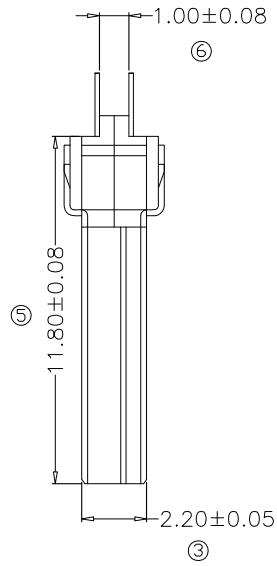
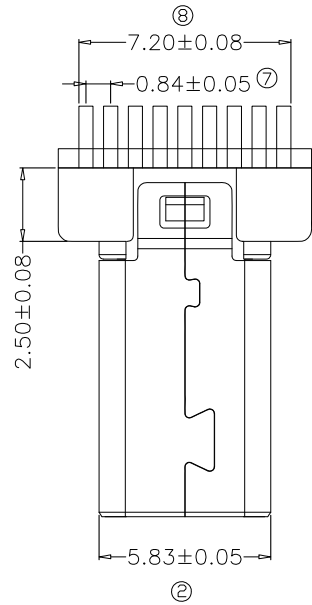


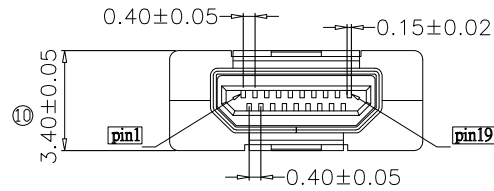
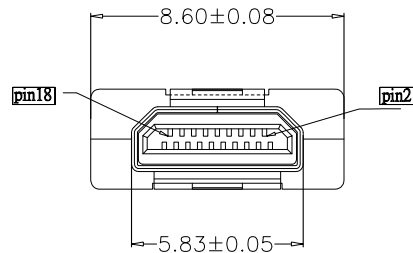
RoHS

REV.	MODIFICATION	APP.	DATE
A	NEW	WLX	2014.07.23



NOTE:

- 图中标示有"○"的尺寸须重点检验;
- MATERIAL: 材料
HOUSING: LCP THERMOPLASTIC, 30% GLASS FILLER, UL94V-0
TERMINAL: PHOSPHOR BRONZE; 磷青铜 0.15mm THICKNESS.
SHELL: PCC.; 0.20mm THICKNESS. 厚度
- PLATING: 电镀
TERMINAL CONTACT AREA PLATING GOLD
SOLDER TAIL: TIN, THICKNESS=100 MICROINCH MIN
UNDER PLATE: NICKEL, THICKNESS=50 MICROINCH MIN
SHELL: NICKEL, THICKNESS=50 MICROINCH MIN
- 盐雾测试: 12H/24H



		Title:	
		HDMI D TYPE MALE 夹板1.0	
Tolerances		Units	Part no:
Linear	Angles	<input checked="" type="checkbox"/> mm	HDD-M-CN10
.x ±0.15	x.' ±5'	<input type="checkbox"/> inch	
.xx ±0.10	.x' ±2'	Size	Dwg no.
.xxx ±0.08	.xx' ±1'	A4	
Projection	Revision.	Scale	Sheet
	A	1:1	1/1
Date.	2014.07.23		